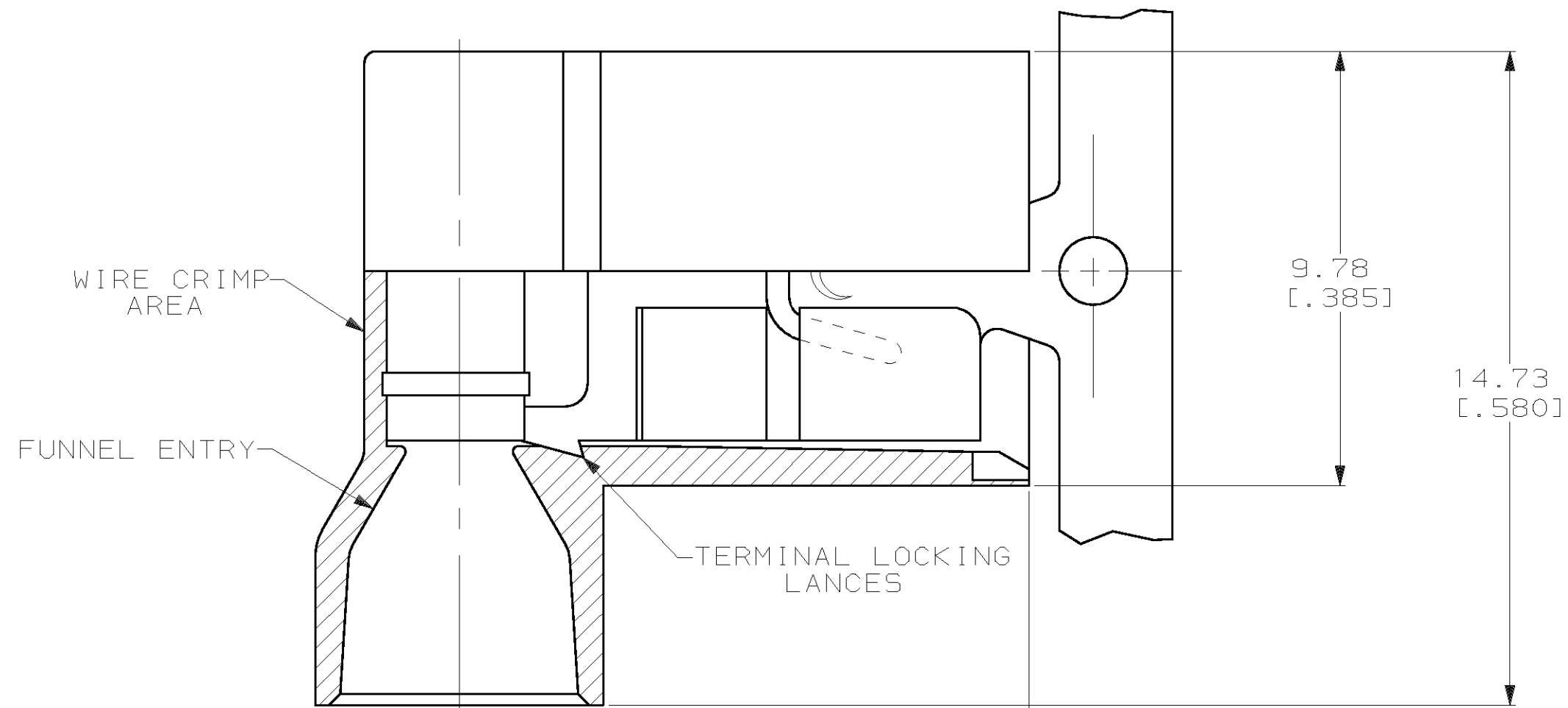
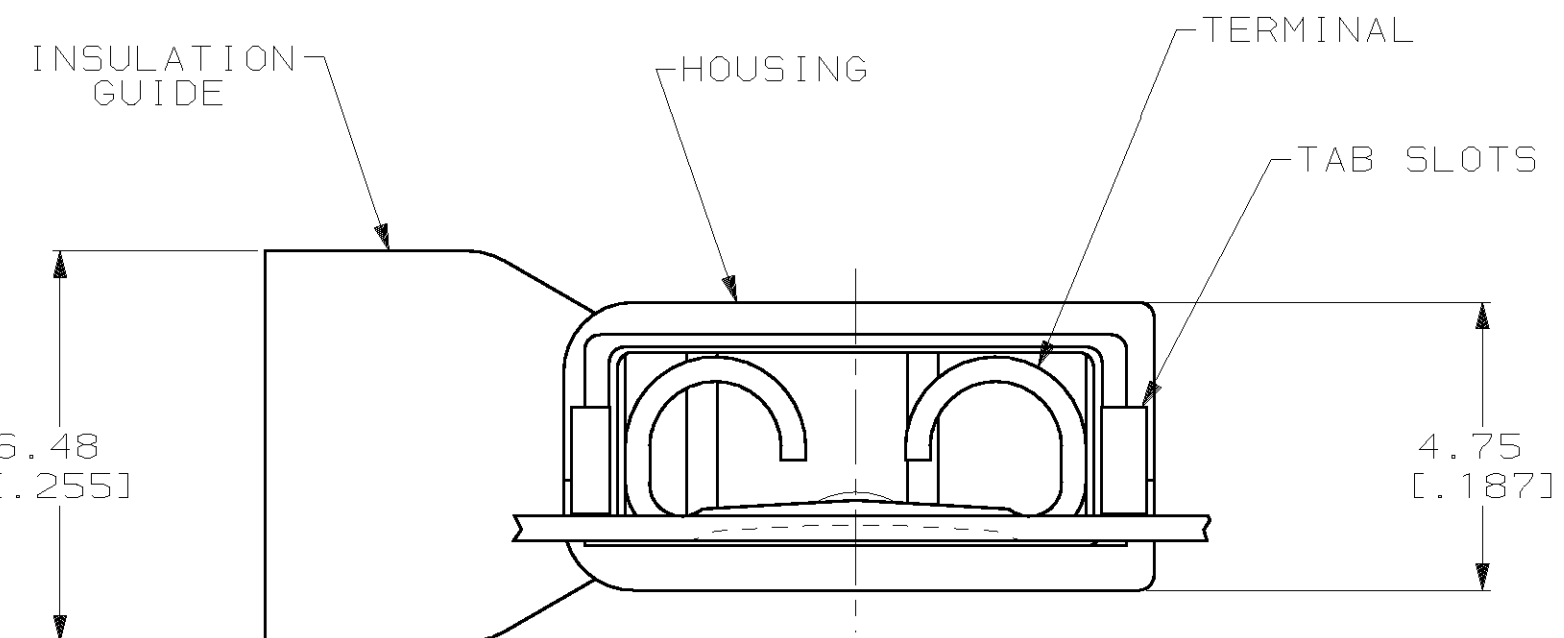
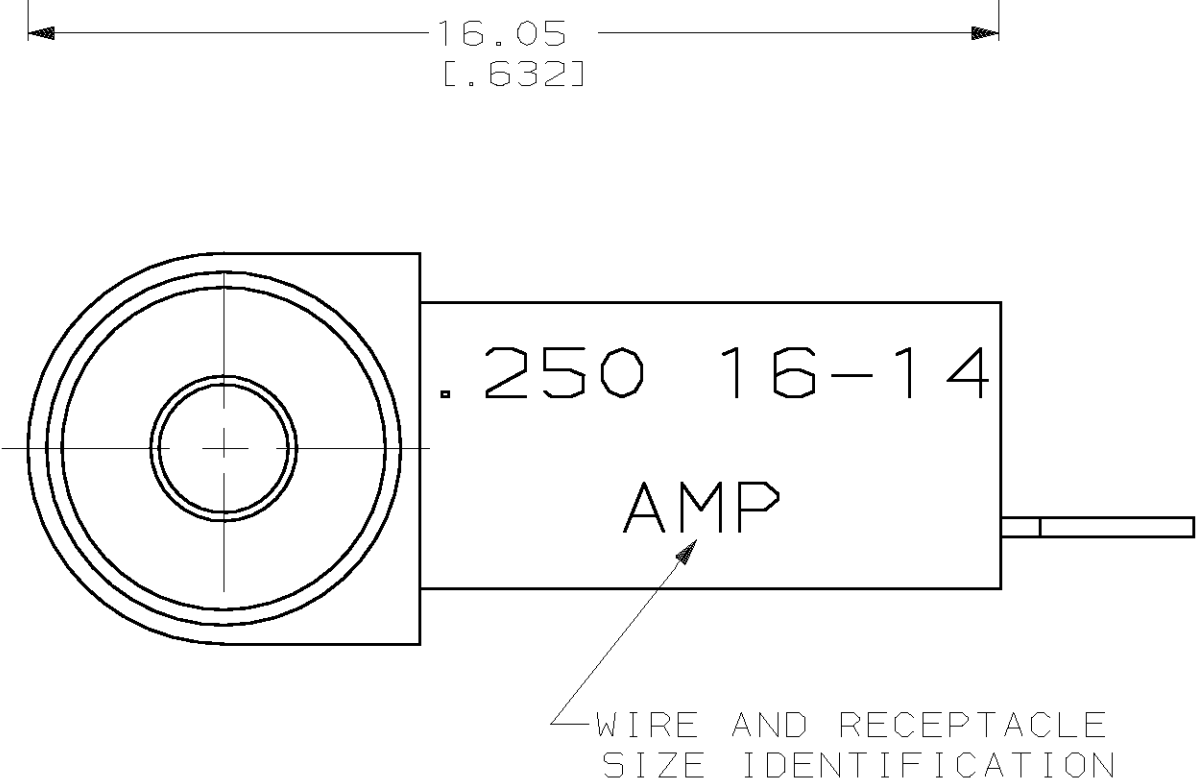


THIS DRAWING IS UNPUBLISHED. RELEASED FOR PUBLICATION
 © COPYRIGHT 19 BY AMP INCORPORATED. ALL INTERNATIONAL RIGHTS RESERVED.

LOC		DIST		ZONE		LTR		REVISIONS		DATE	APPD
AF	50	P	F			T		REV PER 063A-0081-99	09AUG99	JR/JH	



- 1 FITS 0.81±0.025 X 6.35 [.032±.001 X .250] TAB
- 2 WIRE SIZE: 1.3-2.0mm² [16-14 AWG], STRANDED ONLY.
STRIP LENGTH 7.94 [.312]
- 3 INSULATION SIZE: 4.70 [.185] MAX DIA.
- 4 CONTINUOUS STRIP.



BULK	STANARD	PACKAGING	HOUSING	TERMINAL	PART NO
BLUE TRANSLUCENT	TYPE 6/6 NYLON		DR 11/10/89 P FORTNEY	0.41 [.016]	5-520132-2
BLACK			CHK 11/10/89 JR RUTH	#4H BRASS	9-520132-2
BLUE TRANSLUCENT			APPD 11/10/89 DJ BRATINA	TIN	3-520132-2
			APPD 11/10/89 R KUZO		
			PRODUCT SPEC 108-2043		
			APPLICATION SPEC 114-2123	SIZE C	
			WEIGHT -	CAGE CODE 00779	DRAWING NO 520132
				SCALE 10:1	SHEET 1 OF 1



RECEPTACLE ASSEMBLY, ULTRA-FAST FLAG,
6.35 [.250] SERIES